

Premium S Series

PREM 800S PREM 920S

Stylish design and proven reliability makes the **Premium S Series** a popular quality banner stand. The **S series banner stand** is one of the most feature-rich single sided retractable banner stands available and has been specially designed for maximum convenience and ease of use.



features and benefits:

- Available in two widths
- Variable height = 60" - 83"
- Hybrid bungee/ telescoping pole with toolless quick rail
- Accessory channel featured on top of unit (to add a literature pocket or arm table accessory)
- Adjustable feet on base
- Anodized silver base only
- Quick slide graphic to leader attachment
- Graphic tensioner
- Supplied with carry bag with strap
- Lifetime limited hardware warranty against manufacturer defects

dimensions:

Hardware	Shipping
Assembled unit: 800mm: 33.75" w x 62.75" - 85.75" h x 7.87" d 857mm(w) x 1594mm - 2178mm(h) x 200mm(d) 920mm: 38.58" w x 62.75" - 85.75" h x 7.87" d 980mm(w) x 1594mm - 2178mm(h) x 200mm(d)	Shipping dimensions - ships in one box 800mm: 37" l x 10" h x 5" d 940mm(l) x 254mm(h) x 127mm(d) 920mm: 42" l x 9" h x 5" d 1067mm(l) x 229mm(h) x 127mm(d)
Base dimensions: 800mm: 33.75" w x 3.5" h x 7.87" d 857mm(w) x 89mm(h) x 200mm(d) 920mm: 38.58" w x 3.5" h x 7.87" d 980mm(w) x 89mm(h) x 200mm(d)	Approximate shipping weight (w/o graphics): 800mm: 11 lbs / 4.98 kgs 920mm: 12 lbs / 5.44 kgs

additional information:

Graphic materials: anti-curl vinyl, Premium opaque fabric, melinex

Stand-off rectangle counter top is available in black thermoform only

Stand-off literature rack is available (L112-2 only)

Lumina 2 and LED Spot banner lighting option available



Lumina 2



LED Spot

Graphic

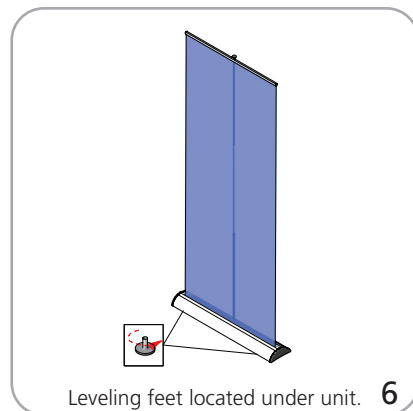
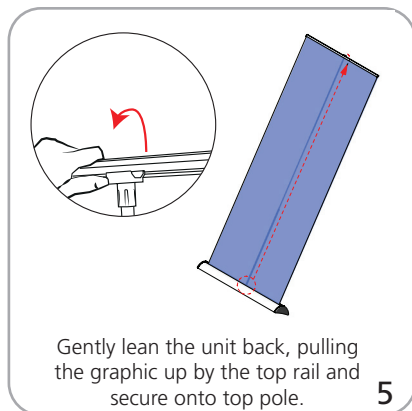
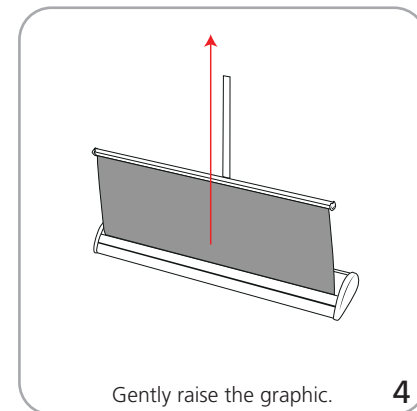
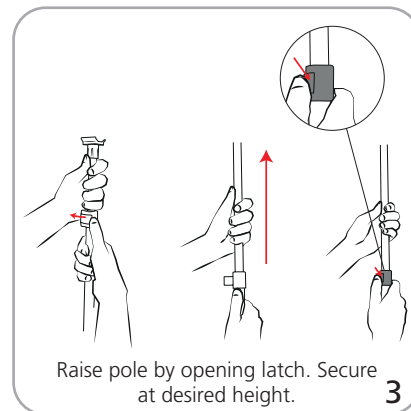
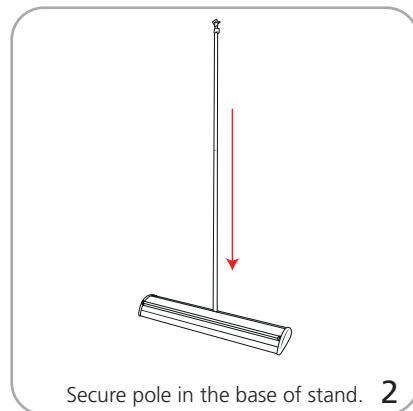
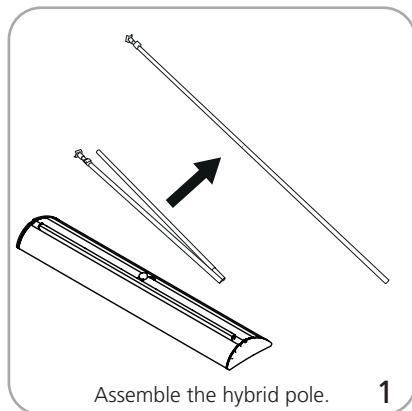
Refer to related graphic template for more information

WARNING: Always attach graphic to base and top rail before removing the locking pin. After fitting, the graphic should be left for 24 hours before use to ensure the adhesive bonds sufficiently. Opening the base will invalidate the product warranty.

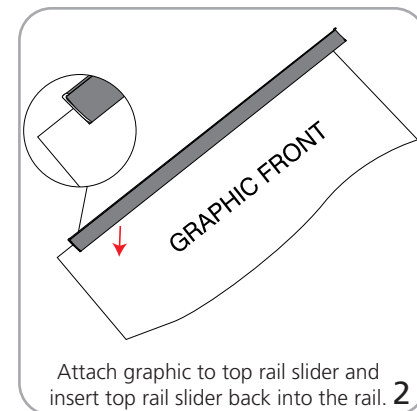
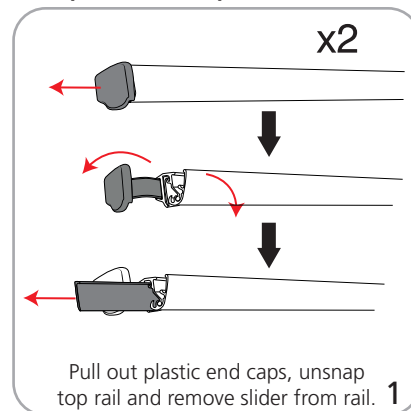
Graphic tension may be re-applied or added. See visual instructions.

We are continually improving and modifying our product range and reserve the right to vary the specifications without prior notice. All dimensions and weights quoted are approximate and we accept no responsibility for variance. E&OE. See Graphic Templates for graphic bleed specifications.

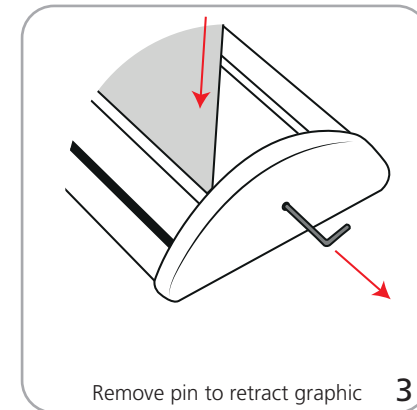
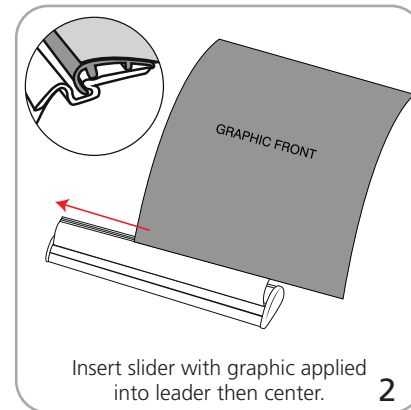
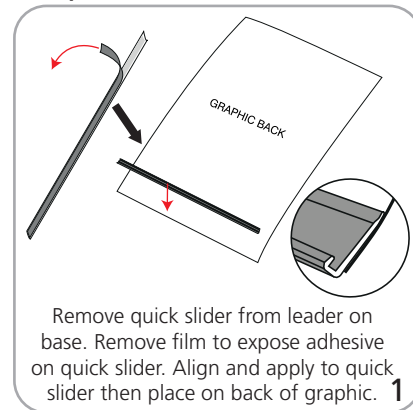
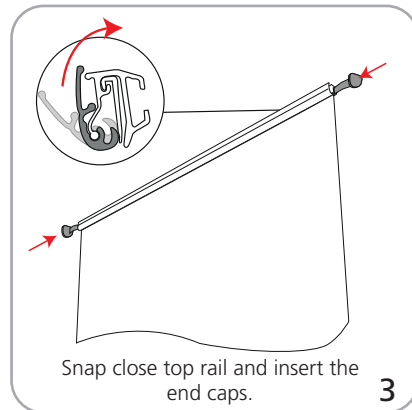
Set-up



Graphic to Top Rail Attachment



Graphic to Base Attachment



Tensioning Graphic

